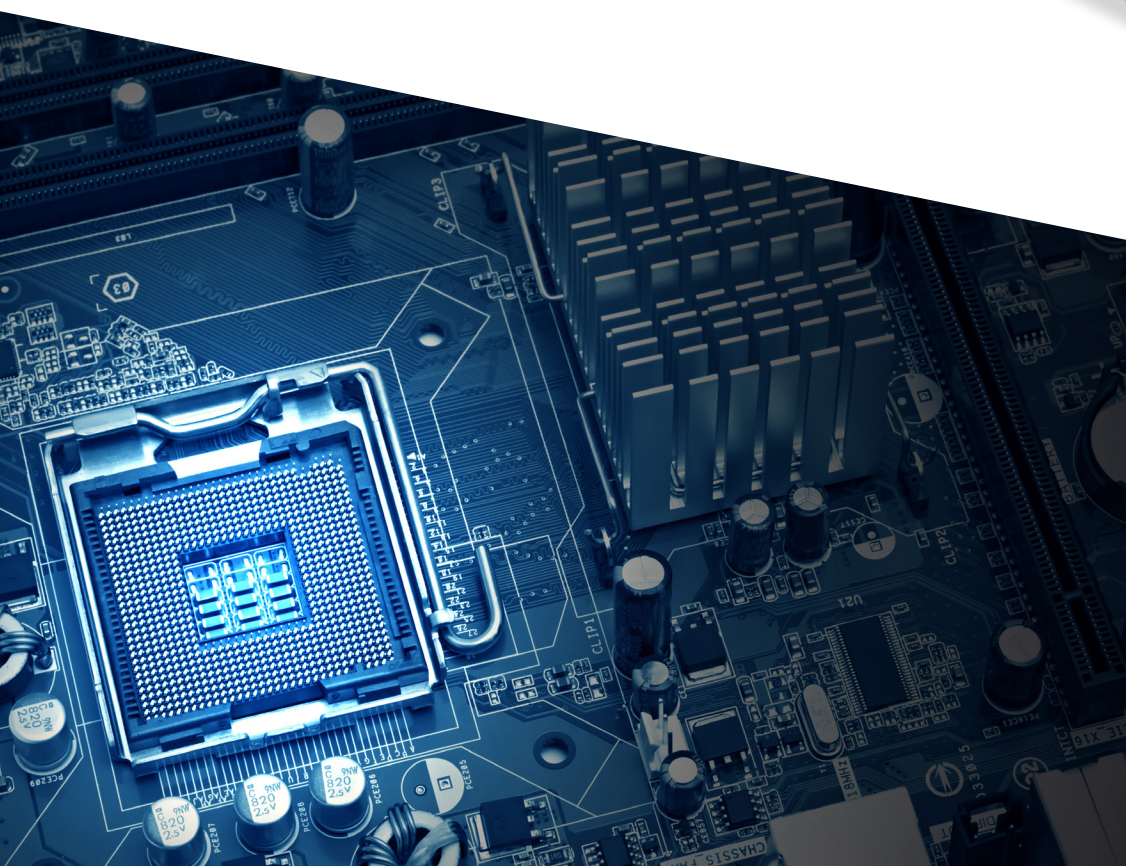
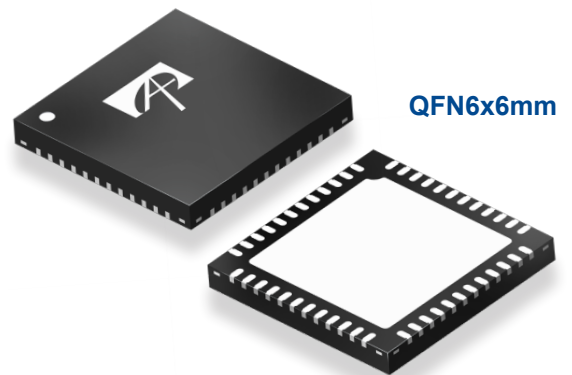




Intel Panther Lake and Wildcat Lake PC Total Solutions

- Low P_Q Digital Multiphase PWM Controllers
- DrMOS and Smart Power Stage (with I_{MON})
- COT Buck Converters



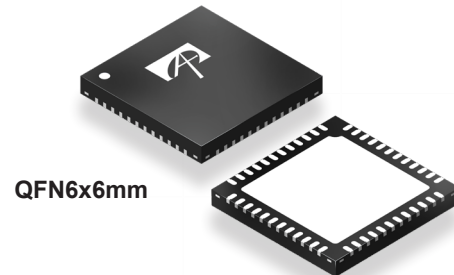
Power IC
Notebook
Solutions



Complete Digital Multiphase Controller and Power Stage Total Solution for Intel Panther Lake and Wildcat Lake Notebook

Product Line-up

- Intel PTL/WCL IMVP 9.3 Multiphase Controller
- Pairing Power Stage Total Solution
- COT Buck Converter for Intel VNNAON Power
- USB3.0/3.1 Protection IC/MOS/TVS
- MOSFETs for system/adaptor/battery



Digital Multiphase Controller (AOZ71049QI)

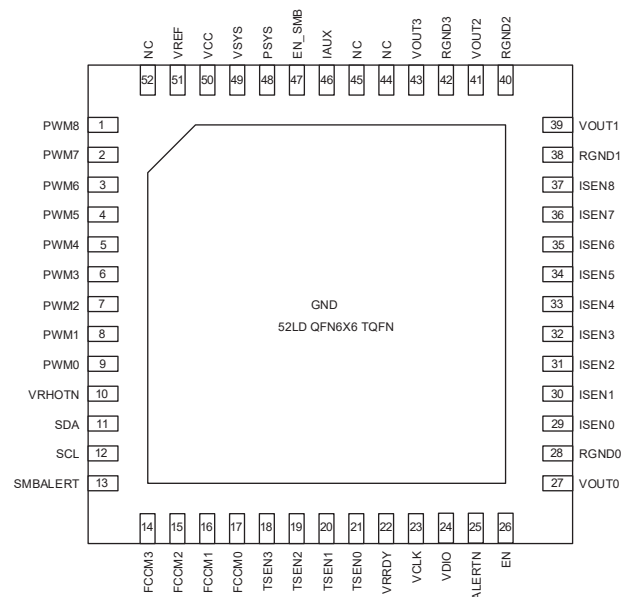
- Up to 4+2+1+2 Output; support Intel IMVP8/9/9.1/9.2/9.3 SVID
- User-friendly GUI for compensation and configurations with minimal external RC components
- Supports FVM to protect CPU
- A²TM ensure fast transient performance while keeping phase current balance
- QFN6x6-52L to QFN7x7-60L to cover all applications

COT Buck Converter (AOZ22559QI)

- Wide V_{IN} range with high I_{OUT} 15A capability supporting Intel I_{CCMAX} up to 30A
- Integration within QFN4x4 package
- High efficiency with Low $R_{DS(ON)}$ FETs
- Better thermal balance while high current

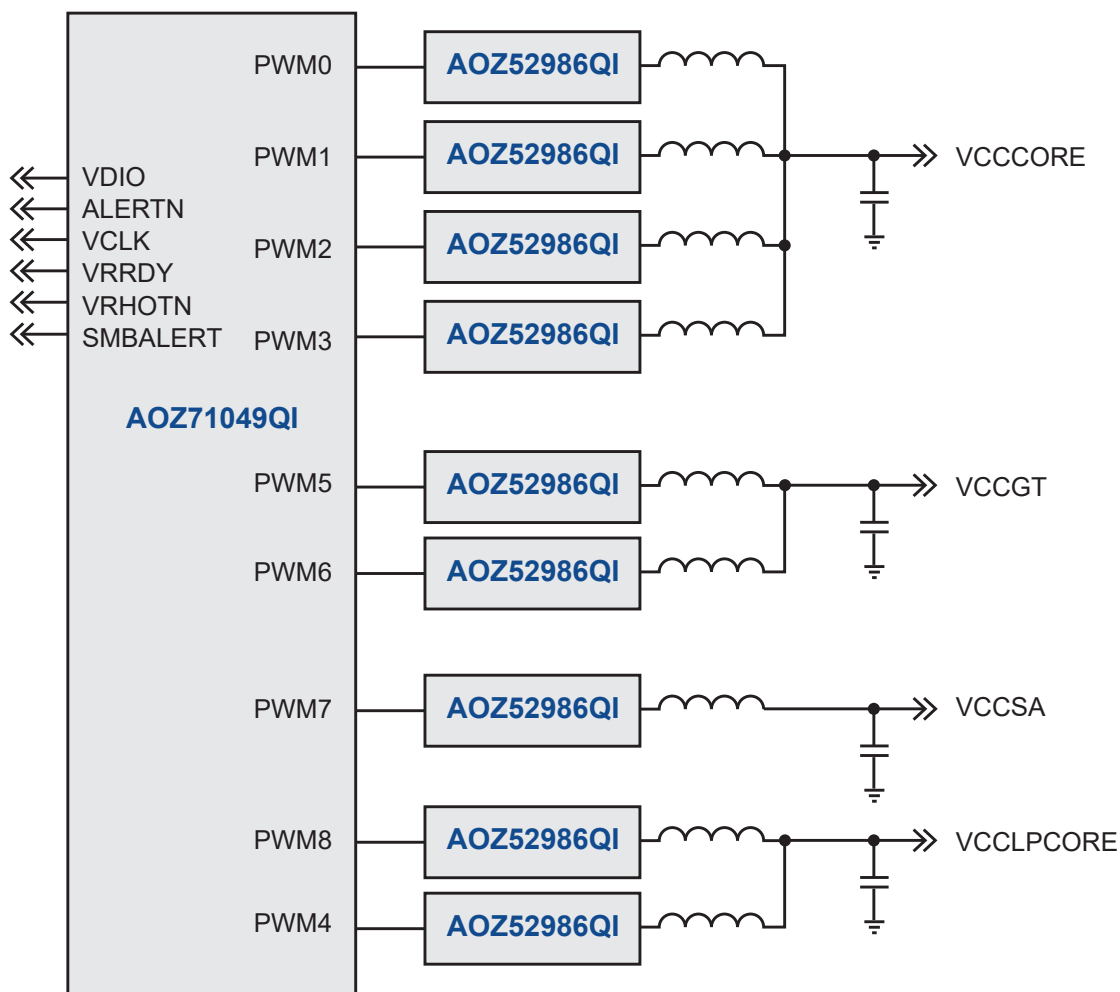
Smart Power Stage (AOZ52986QI)

- 2.7V to 22V power supply range
- 30V HS MOSFET provides better system ruggedness
- 45A continuous output current
- Optimized for switching frequency up to 1.5MHz
- Integrated current monitor ($5\mu A/A$) with typical 3.5% accuracy over temperature
- Integrated temperature monitor ($8mV/^{\circ}C$) with 2% accuracy
- QFN3x4-26L package



AOZ71049QI 4+2+1+2 Controller for PTL Notebook

Typical Application of Low P_Q Digital Controller for PTL/WCL



Product Solutions Tables

Controller Part Number	Package	Configuration	V _{IN} Range	Communication
AOZ71049QI	QFN6x6	Up to 4+2+1+2 for NB	2.5V to 24V	SVID & SMBus
AOZ71149QI	QFN7x7	Up to 4+2+1+2 for NB		
AOZ71146QI	QFN6x6	Up to 2+2+1+1 for NB		

DrMOS & SPS Part Number	Package	Current Rating	10ms Peak Current	BV
AOZ5517QI	QFN5x5	60A/55A	80A	30V
AOZ5516QI				
AOZ5508QI	QFN3.5x4.5	35A/30A	60A	
AOZ5507QI				
AOZ52986QI	QFN3x4	45A	65A	

COT Part Number	Package	Current Rating	V _{IN} Range	BV
AOZ22539QI	QFN4x4	12A	4.5V to 28V	30V
AOZ22559QI	QFN4x4	15A		
AOZ23567QI	QFN5x5	20A		
AOZ23567BQI	QFN5x5	17A		
AOZ2260AQI-10	QFN4x4	6A		

AOS SALES OFFICES

To contact any of our sales partners worldwide, please visit our website at: www.aosmd.com/contact

UNITED STATES

475 Oakmead Pkwy
Sunnyvale, CA 94085
Phone: +1 (408) 830-9742
Email: Inquiries@aosmd.com

EMEA

Phone: +49 (0)173 8428560
Email: AOSMEA@aosmd.com

CHINA

Beijing
Rm 406, Jintai Fudi Bldg., No. 9 Yard
Anningzhuang West Rd.,
Haidian District, Beijing 100085
Phone: +86 (186) 1126-3304
Email: qsbi@aosmd.com

Chengdu

Phone: +86 (189) 2345-6853
Email: Chao.Wu@sh.aosmd.com

Hong Kong

Room 701, Tesbury Center
28 Queen's Road East Wanchai
Phone: +86 (755) 8351-7733
Email: AOSChina@aosmd.com

Qingdao

Rm 3209, Tower 2,
Excellence Century Center
Longcheng Rd., Shibe District
Qingdao 266032
Phone: +86 (532) 5855-5163
Email: Minhui.Wang@sh.aosmd.com

Shanghai

Rm 602-603, Central Park Jing'an
329 Hengfeng Rd. Jing'an District,
Shanghai 200070
Phone: +86 (21) 6353-3218
Fax: +86 (21) 6353-9339
Email: AOSChina@aosmd.com

Shenzhen

East 8/F, Matsunichi Bldg.
#9996 Shennan Blvd.
Shenzhen 518057
Phone: +86 (755) 8351-7733
Fax: +86 (755) 8351-5883
Email: AOSChina@aosmd.com

Suzhou

Rm 1012, Bldg. A, Urban Life Plaza,
251 Pinglong Rd.
Gusu District, Suzhou 215026
Phone: +86 189 6210 4706
Email: szhzhu@aosmd.com

INDIA

Unit No. 505, 5th Floor
Prestige Towers,
No. 99/100 Residency Rd.
Ashok Nagar, Bangalore 560 025
Phone: +91-9035 988669
Email: AOSAsean@aosmd.com

SOUTH KOREA

10th Floor, Bandi Bldg.,
Bongeunsa-ro 114
Gangnam-gu, Seoul 135-907
Phone: +82 (2) 557-8501
Fax: +82 (2) 557-8420
Email: AOSKorea@aosmd.com

TAIWAN

19F., No. 239, Sec. 2, Tiding Blvd.
Neihu District, Taipei City 114755
Phone: +886 (2) 8751-5616
Fax: +886 (2) 2627-4762
Email: AOSTaiwan@aosmd.com

JAPAN

16F Yurakucho Itocia Office Tower
2-7-1 Yurakucho, Chiyoda-ku
Tokyo 100-0006
Phone: +81 (3) 6826-1401
Email: AOSJapan@aosmd.com

Alpha and Omega Semiconductor Limited (AOS) is a designer, developer, and global supplier of a broad range of discrete power devices, wide bandgap power devices, power management ICs, and modules, including a wide portfolio of Power MOSFET, SiC, GaN, IGBT, IPM, TVS, HV Gate Drivers, Power IC, and Digital Power products. AOS' portfolio of products targets high-volume applications, including personal computers, graphics cards, data centers, AI servers, smartphones, consumer and industrial motor controls, TVs, lighting, automotive electronics, and power supply units for various equipment.

