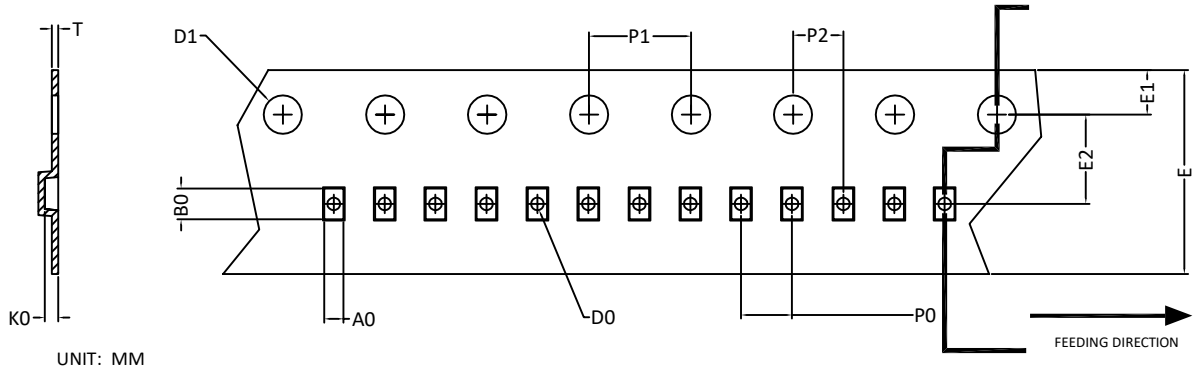
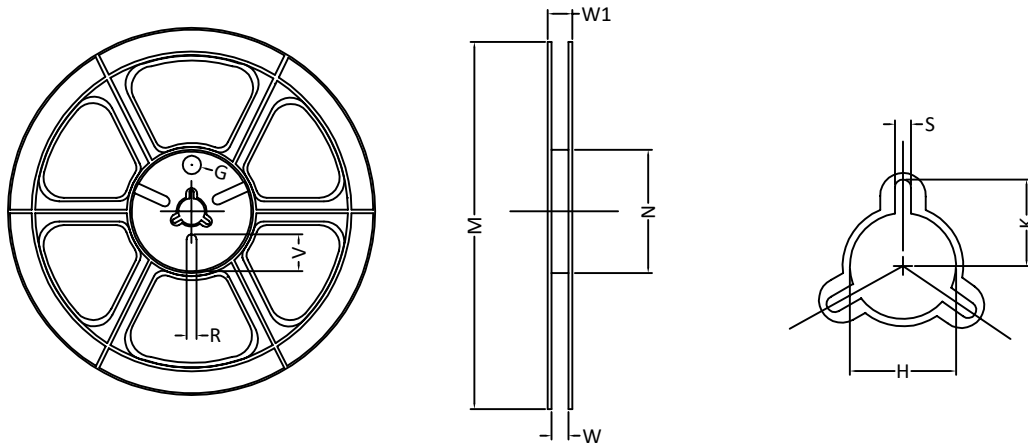


DFN1.0x0.6(A) 2L EP2 S/DFN1.0x0.6 3L EP1 S Carrier Tape



PACKAGE	A0	B0	K0	D0	D1	E	E1	E2	P0	P1	P2	T
DFN1.0x0.6/ DFN1.0x0.6A (8 mm)	0.65 ±0.04	1.05 ±0.04	0.61 ±0.04	0.40 ±0.05	1.50 +0.10	8.00 +0.30 -0.10	1.75 ±0.10	3.50 ±0.05	2.00 ±0.10	4.00 ±0.10	2.00 ±0.05	0.20 ±0.05

DFN1.0x0.6(A) 2L EP2 S/DFN1.0x0.6 3L EP1 S Reel



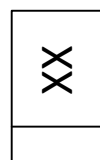
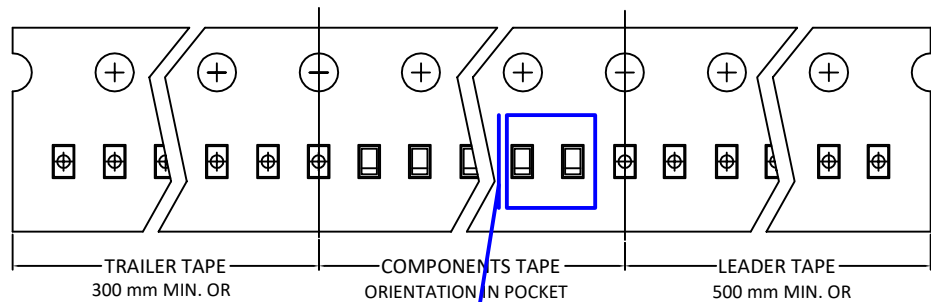
TAPE SIZE	REEL SIZE	M	N	W	W1	H	K	S	G	R	V
8 mm	Ø178	Ø178 ±0.5	Ø55 ±1	8.4 +1.5 0	MAX. 14.4	Ø13.0 ±0.5	MAX. 10.1	2.0 ±0.5	N/A	N/A	N/A

DFN1.0x0.6(A) 2L EP2 S/DFN1.0x0.6 3L EP1 S Tape

Leader / Trailer
& Orientation

TVS

Unit Per Reel:
10000pcs

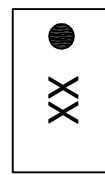
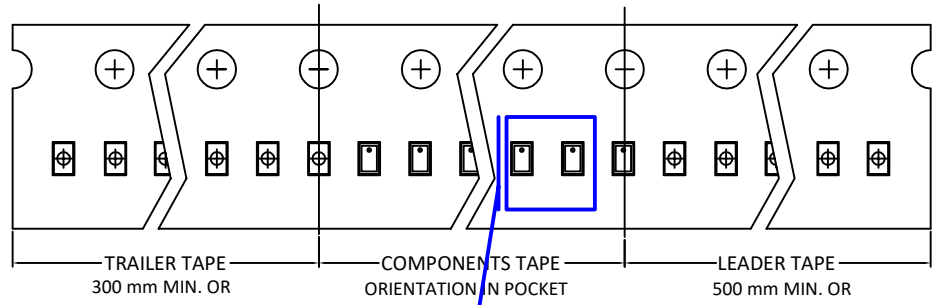


DETAIL:
UNIT DIRECTION IN POCKET

DFN1.0x0.6(A)_2L_EP2_S/
DFN1.0x0.6_3L_EP1_S
Tape and Reel Data

MOS

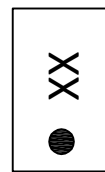
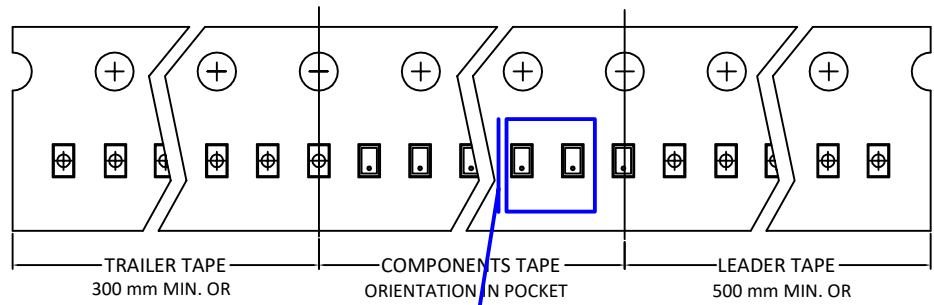
Unit Per Reel:
10000pcs



DETAIL:
UNIT DIRECTION IN POCKET

MOS SPECIAL
PART:
AON1606_002

Unit Per Reel:
10000pcs



DETAIL:
UNIT DIRECTION IN POCKET