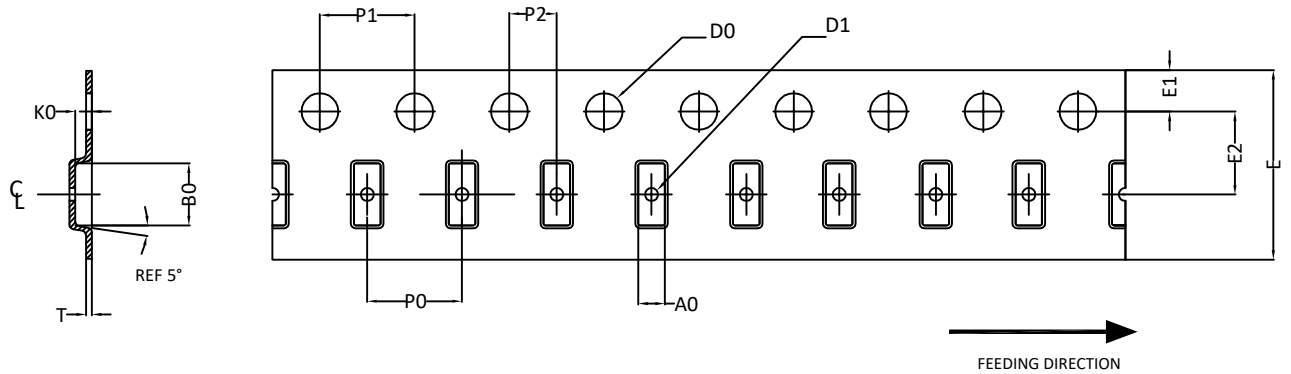




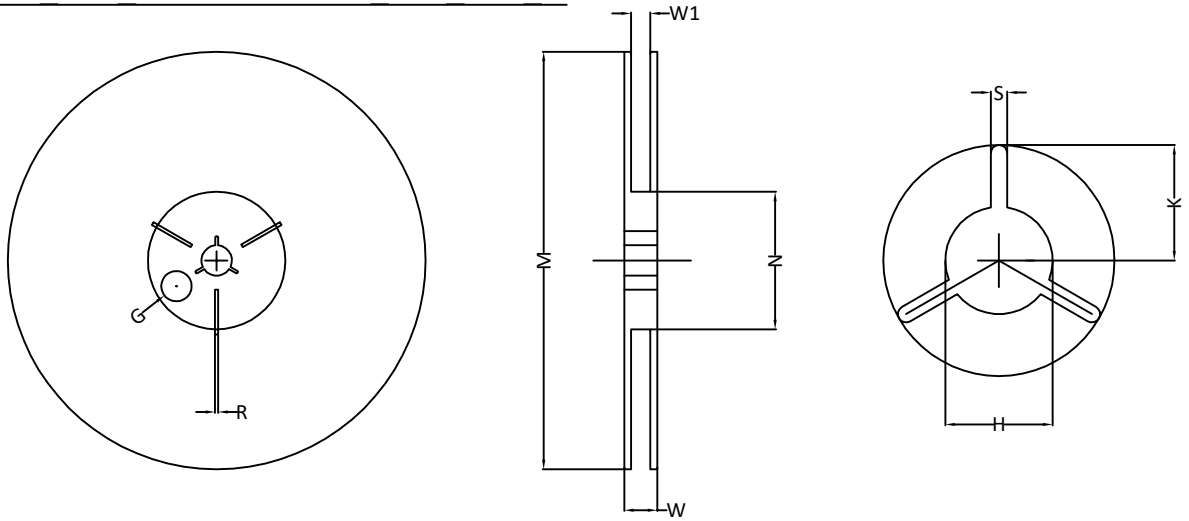
DFN2.5x1.0 10L EP2 S/DFN2.5x1.0A 10L EP2 S
Carrier Tape



UNIT: MM

PACKAGE	A0	B0	K0	D0	D1	E	E1	E2	P0	P1	P2	T
DFN2.5x1.0(A)	1.12 ±0.05	2.62 ±0.05	0.70 ±0.05	Ø1.55 ±0.05	Ø0.55 ±0.05	8.00 ^{+0.3} _{-0.1}	1.75 ±0.1	3.50 ±0.05	4.00 ±0.1	4.0 ±0.10	2.0 ±0.05	0.25 ±0.05

DFN2.5x1.0 10L EP2 S/DFN2.5x1.0A 10L EP2 S
Reel



UNIT: MM

TAPE SIZE	REEL SIZE	M	N	W	W1	H	S	K	G	R
8	Ø178	Ø178.0 ±1.0	Ø60.0 ±1.0	11.80 ±0.5	9.0 ±0.5	Ø13.0 ^{+0.5} _{-0.2}	2.40 ±0.10	10.25 ±0.2	Ø9.8	---

DFN2.5x1.0 10L EP2 S/DFN2.5x1.0A 10L EP2 S Tape

Leader / Trailer
& Orientation

Unit Per Reel:
3000pcs

