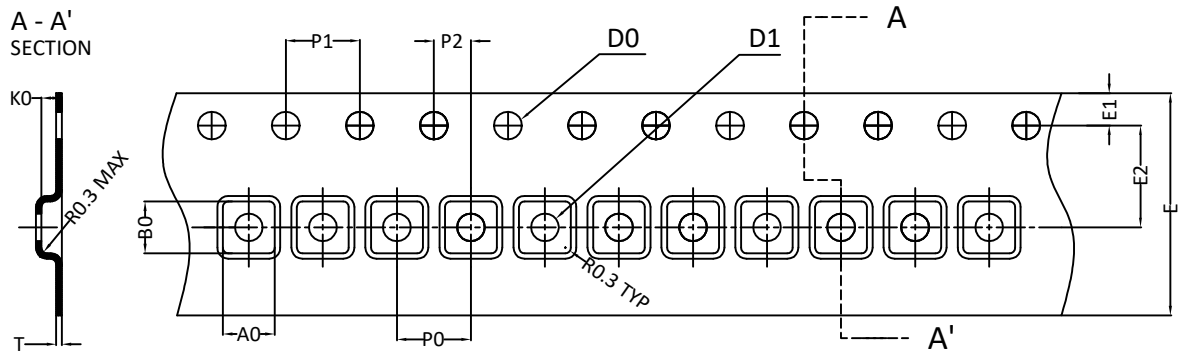




DFN2.6x2.6 10L EP1 S Carrier Tape

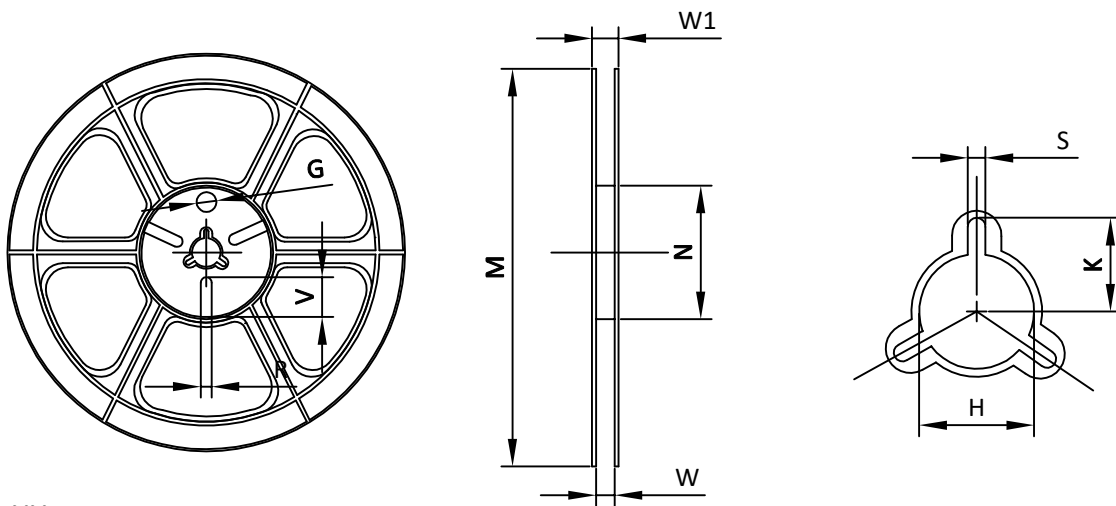


UNIT: MM

FEEDING DIRECTION  $\rightarrow$

PACKAGE	T	B0	A0	K0	D0	D1	E	E1	E2	P0	P1	P2
DFN2.6x2.6	0.30 $\pm 0.05$	2.80 $\pm 0.10$	2.80 $\pm 0.10$	1.10 $\pm 0.10$	$\phi 1.50$ $^{+0.1}_{-0.0}$	$\phi 1.50$ MIN	12.0 $\pm 0.3$	1.75 $\pm 0.10$	5.50 $\pm 0.05$	4.00 $\pm 0.10$	4.00 $\pm 0.10$	2.00 $\pm 0.05$

DFN2.6x2.6 10L EP1 S Reel



UNIT: MM

TAPE SIZE	REEL SIZE	M	N	W	W1	H	K	S	G	R	V
12 mm	$\phi 330$	$\phi 330.00$ $\pm 0.50$	$\phi 97.00$ $\pm 0.10$	13.00 $\pm 0.30$	17.40 $\pm 1.00$	$\phi 13.00$ $^{+0.50}_{-0.20}$	10.60	2.00 $\pm 0.50$	---	---	---

DFN2.6x2.6 10L EP1 S Tape

Leader / Trailer  
& Orientation

Unit Per Reel:  
3000pcs

