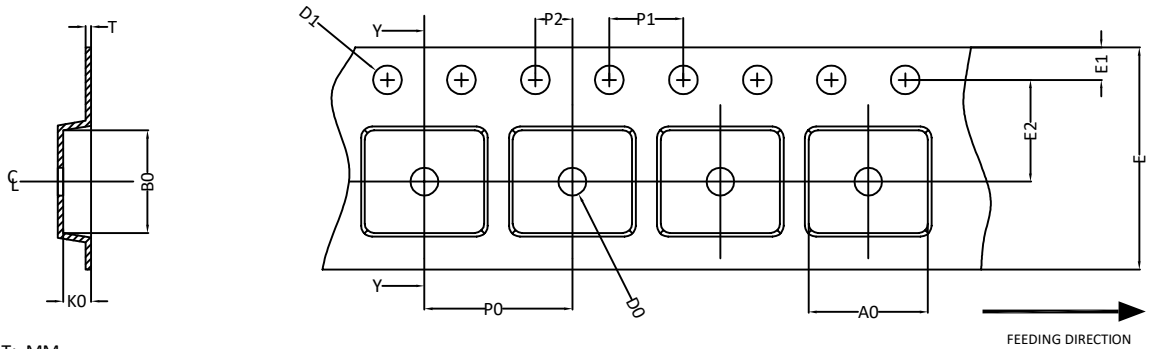


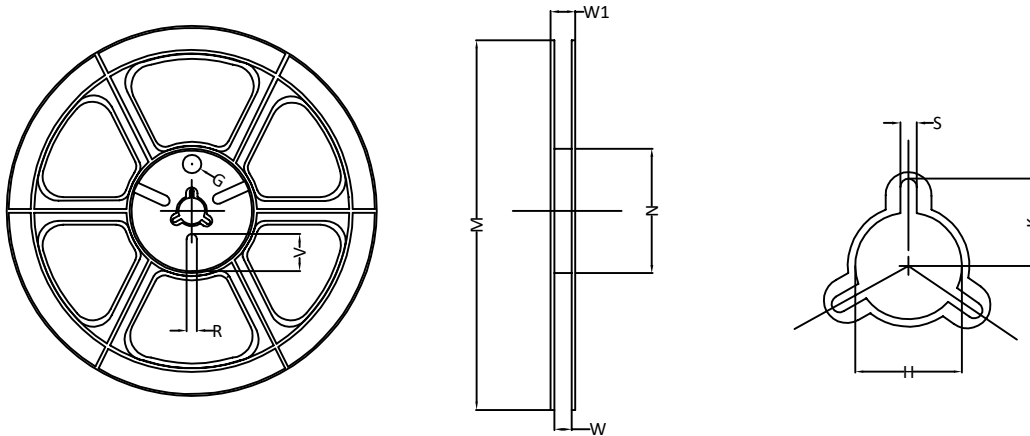
DFN5x6 Carrier Tape



UNIT: MM

PACKAGE	A0	B0	K0	D0	D1	E	E1	E2	P0	P1	P2	T
DFN5x6 (12 mm)	6.30 ±0.10	5.45 ±0.10	1.30 ±0.10	1.50 MIN.	1.55 ±0.05	12.00 ±0.30	1.75 ±0.10	5.50 ±0.10	8.00 ±0.10	4.00 ±0.10	2.00 ±0.10	0.30 ±0.05

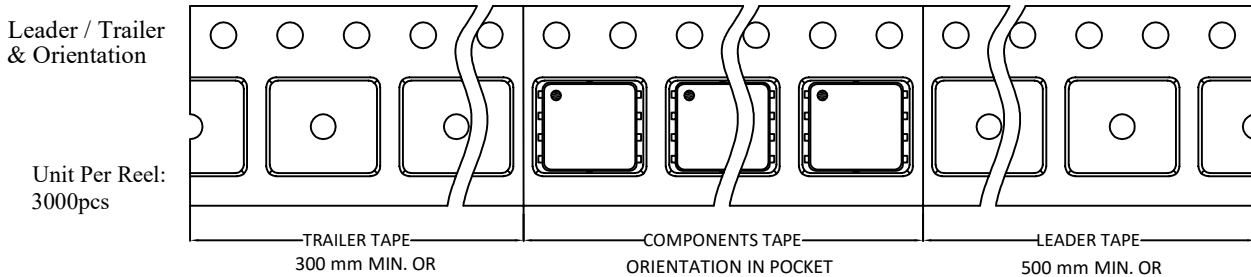
DFN5x6 Reel



UNIT: MM

TAPE SIZE	REEL SIZE	M	N	W	W1	H	K	S	G	R	V
12 mm	Ø330	Ø330.00 ±0.50	Ø97.00 ±0.10	13.00 ±0.30	17.40 ±1.00	Ø13.00 +0.50 -0.20	10.60	2.00 ±0.50	---	---	---

DFN5x6 Punch Package Tape



DFN5x6 Sawing Package (Except DFN5x6 7L EP1 TEP1 S/DFN5x6 2L EP3 TEP1 S /DFN5x6 8L EP1 TEP1 S/DFN5x6 8L EP1 TEP2 S/DFN5x6 8L EP2 TEP1 S/DFN5x6A 8L EP2 TEP1 S)Tape

