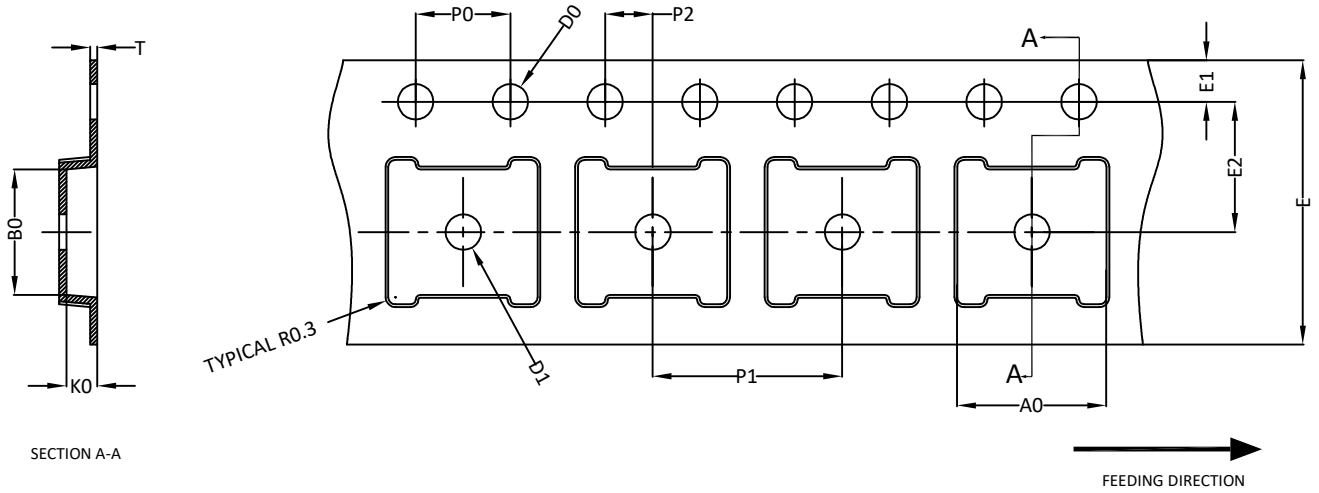




ALPHA & OMEGA
SEMICONDUCTOR

DFN5x6_7L_EP1_TEP1_S/DFN5x6_2L_EP3_TEP1_S/
DFN5x6_8L_EP1_TEP2_S/DFN5x6_8L_EP2_TEP1_S/
DFN5x6A_8L_EP2_TEP1_S/DFN5x6_8L_EP1_TEP1_S
Tape and Reel Data

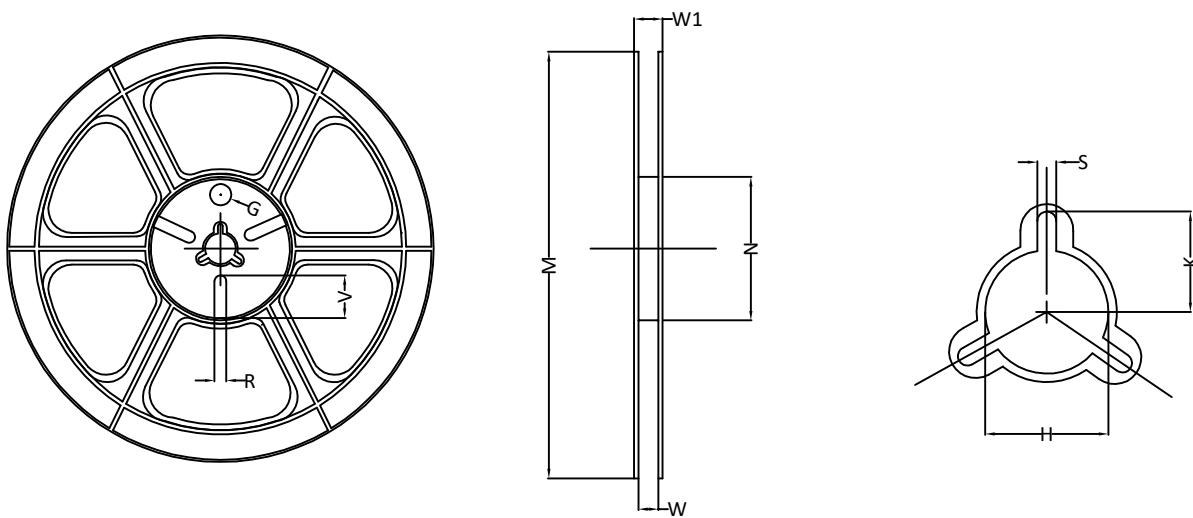
DFN5x6_7L_EP1_TEP1_S/DFN5x6_2L_EP3_TEP1_S/
DFN5x6_8L_EP1_TEP2_S/DFN5x6_8L_EP2_TEP1_S/
DFN5x6A_8L_EP2_TEP1_S/DFN5x6_8L_EP1_TEP1_S
Carrier Tape



UNIT: MM

PACKAGE	A0	B0	K0	D0	D1	E	E1	E2	P0	P1	P2	T
DFN5x6	6.30 ±0.1	5.30 ±0.1	0.9 ±0.1	1.55 ±0.05	Ø1.50 MIN	12.00 ±0.3	1.75 ±0.1	5.50 ±0.05	4.00 ±0.1	8.00 ±0.1	2.00 ±0.05	0.3 ±0.05

DFN5x6_7L_EP1_TEP1_S/DFN5x6_2L_EP3_TEP1_S/
DFN5x6_8L_EP1_TEP2_S/DFN5x6_8L_EP2_TEP1_S/
DFN5x6A_8L_EP2_TEP1_S/DFN5x6_8L_EP1_TEP1_S
Reel



UNIT: MM

TAPE SIZE	REEL SIZE	M	N	W	W1	H	K	S	G	R	V
12 mm	Ø330	Ø330.00 ±0.50	Ø97.00 ±0.10	13.00 ±0.30	17.40 ±1.00	Ø13.00 +0.50 -0.20	10.60	2.00 ±0.50	---	---	---

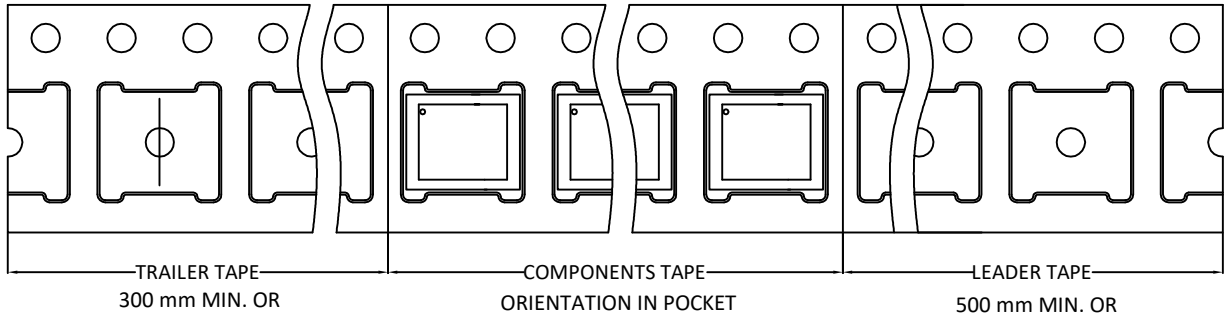


ALPHA & OMEGA SEMICONDUCTOR

DFN5x6 7L EP1 TEP1 S/DFN5x6 2L EP3 TEP1 S/
DFN5x6 8L EP1 TEP2 S/DFN5x6 8L EP2 TEP1 S/
DFN5x6A 8L EP2 TEP1 S Tape

Leader / Trailer
& Orientation

Unit Per Reel:
3000pcs



DFN5x6 8L EP1 TEP1 S Tape

Leader / Trailer
& Orientation

Unit Per Reel:
5000pcs

