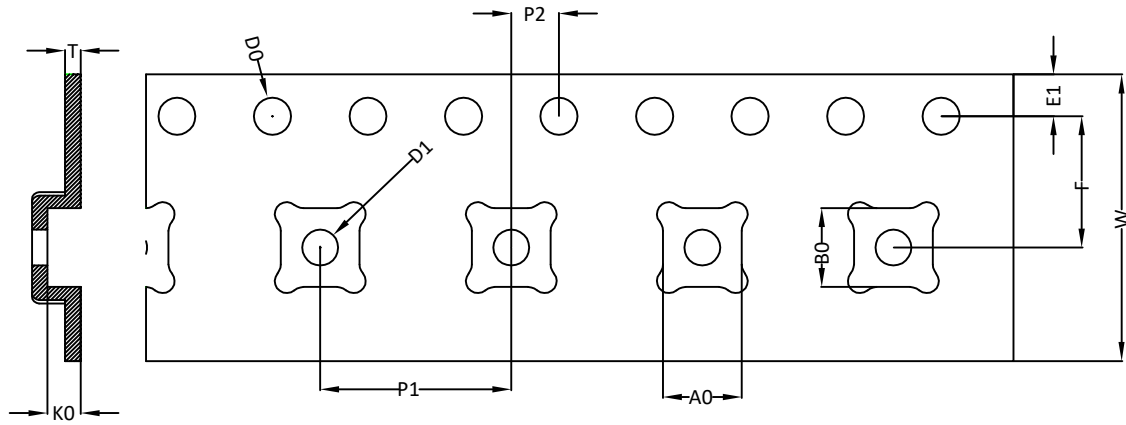




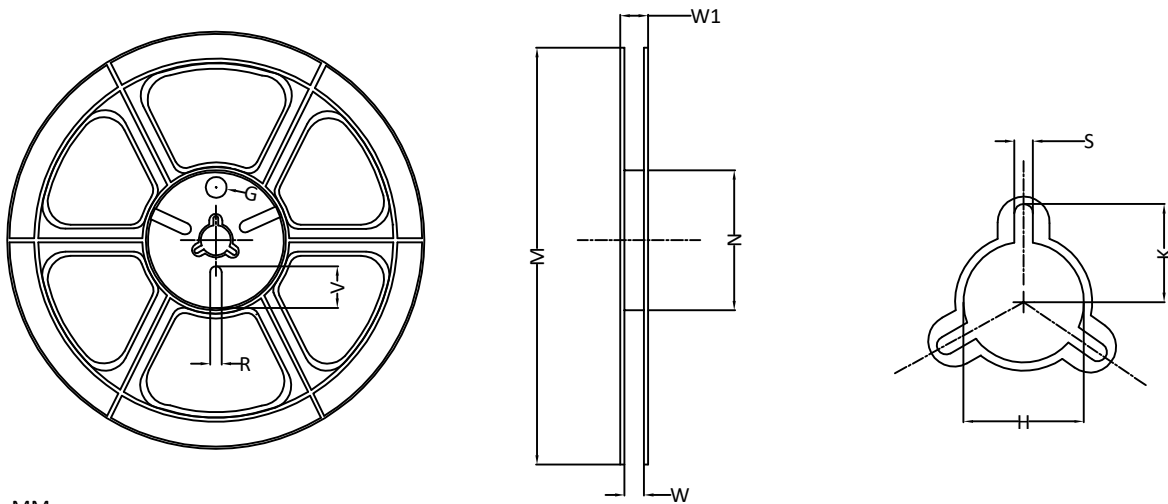
QFN3x3 18L EP2 S/QFN3x3 21L EP2 S Carrier Tape



UNIT: MM

PACKAGE	A0	B0	K0	D0	D1	W	E1	F	P0	P1	P2	T
QFN3x3_18L_EP2_S	3.30	3.30	0.80	1.55	1.50	12.00	1.75	5.50	4.00	8.00	2.00	0.30
QFN3x3_21L_EP2_S	±0.10	±0.10	±0.10	±0.05	Min.	+0.30 -0.00	±0.10	±0.10	±0.10	±0.10	±0.10	±0.05

QFN3x3 18L EP2 S/QFN3x3 21L EP2 S Reel



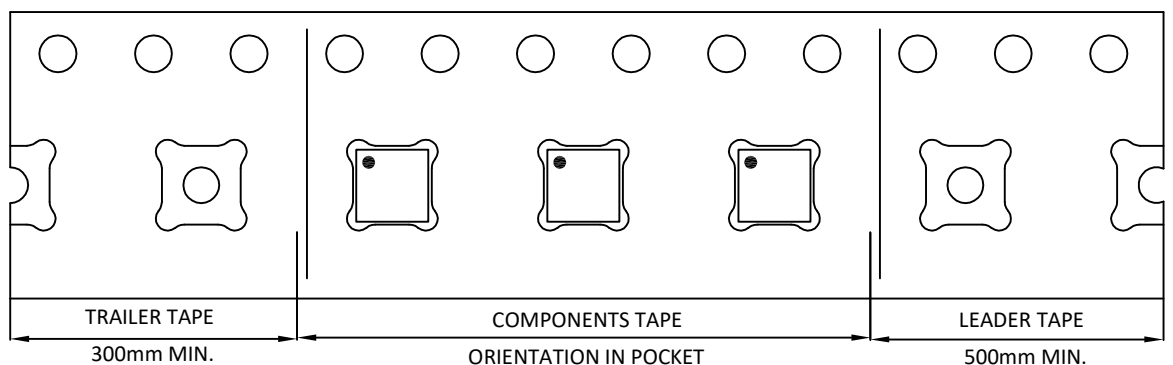
UNIT: MM

TAPE SIZE	REEL SIZE	M	N	W	W1	H	S	K	G	R	V
12 mm	Ø330	Ø330.00 ±2.00	Ø101.6 ±2.00	12.40 +2.00 -0.00	12.40 +3.00 -0.20	Ø13.20 ±0.30	1.70-2.60	---	---	---	---

QFN3x3 18L EP2 S  
QFN3x3 21L EP2 S Tape

Leader / Trailer  
& Orientation

Unit Per Reel:  
5000pcs



All Dimensions Comply with EAI-481