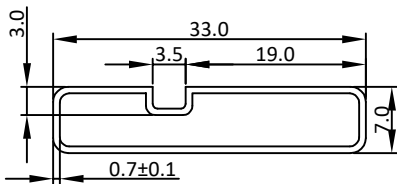
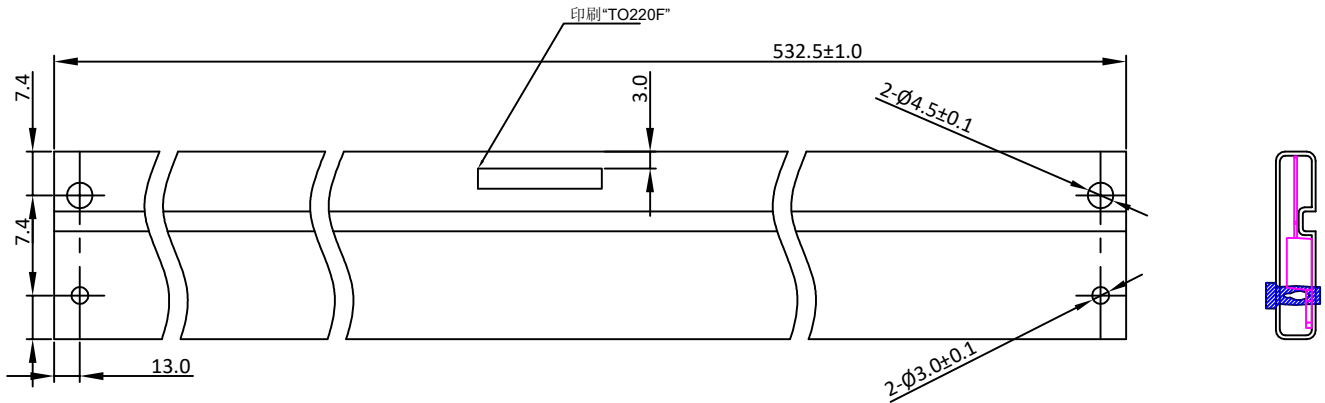


TO220F/TO220FL TUBE



2:1

NOTE

1. TUBE

- MATERIAL : POLYVINYL CHLORIDE
- COLOR : TRANSPARENCY
- PRINT COLOR: BLACK
- CAMBAR : 1.5 MAX
- ALL DIMENSION: MM

2. PIN

- COLOR : GREEN (ONE PIN MUST BE INSERTED IN LEFT-SIDE OF " TO220F" AND ANOTHER PIN IS FREE.)

3. ALL UNSPECIFICATED SPECIFICATIONS FOLLOW TUBE GENERAL SPEC. UNSPECIFICATED TOLERANCE ±0.2

4. PACKING Q'TY :

PKG	Q'TY(PCS)
TO220F/ TO220FL	50