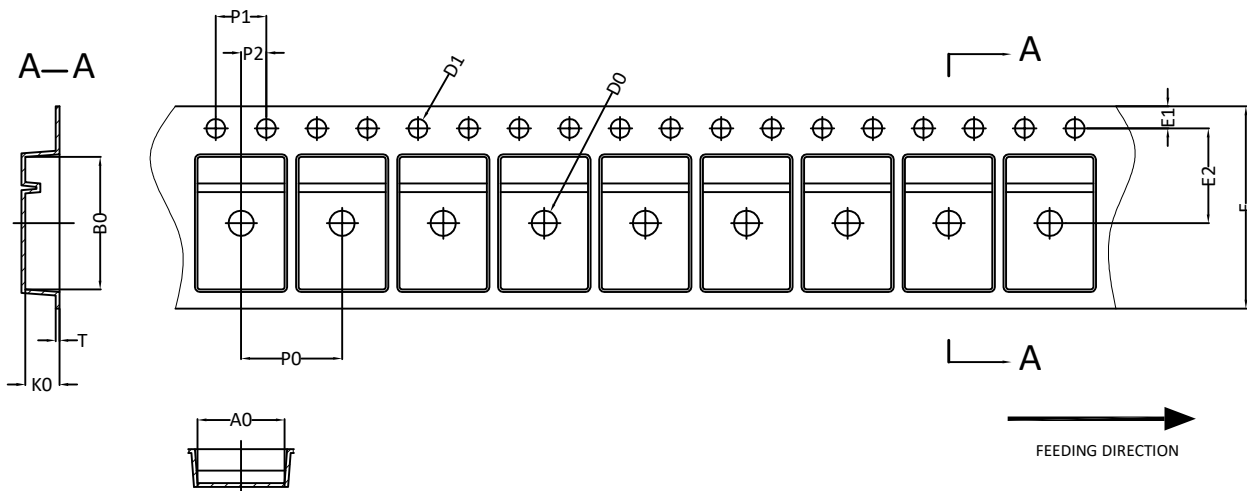
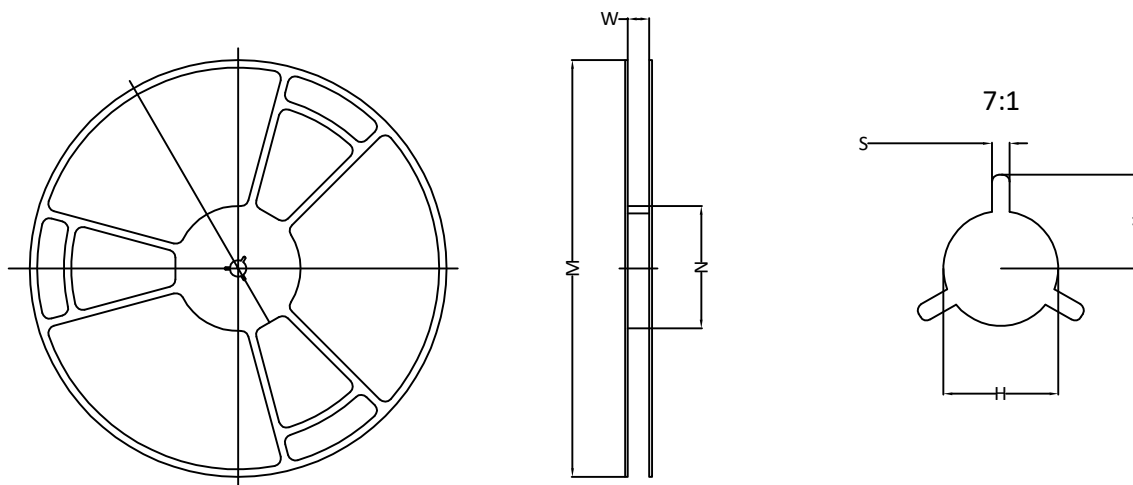


TO252 4L(DPAK-4L) Carrier Tape


UNIT: MM

PACKAGE	A0	B0	K0	D0	D1	E	E1	E2	P0	P1	P2	T
TO252_4L (16 mm)	6.90 ±0.10	10.50 ±0.10	2.70 ±0.10	2.00 ±0.25	1.50 +0.1 -0	16.00 ±0.30	1.75 ±0.10	7.50 ±0.10	8.00 ±0.10	4.00 ±0.10	2.00 ±0.10	0.30 ±0.05

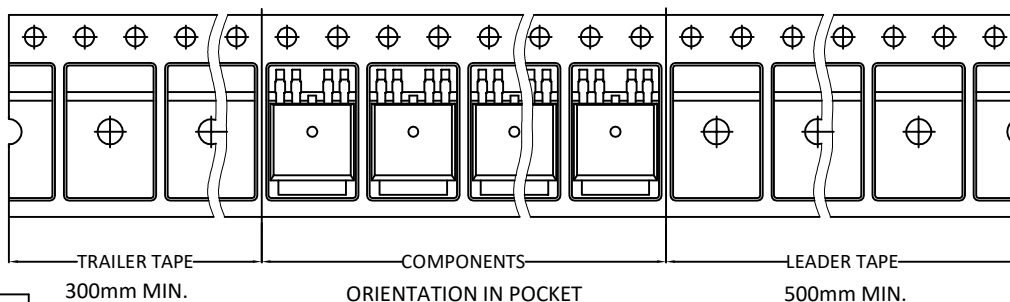
TO252 4L(DPAK-4L) Reel


UNIT: MM

TAPE SIZE	REEL SIZE	M	N	W	H	K	S
16 mm	∅330	∅330.00 ±0.5	∅97.00 ±1.0	17.0 +1.5 -0	∅13.00 +0.50 -0.20	10.6 ±0.25	2.0 ±0.5

TO252 4L(DPAK-4L) Tape

 Leader / Trailer
 & Orientation

 Unit Per Reel:
 2500pcs


All Dimensions Comply with EAI-481