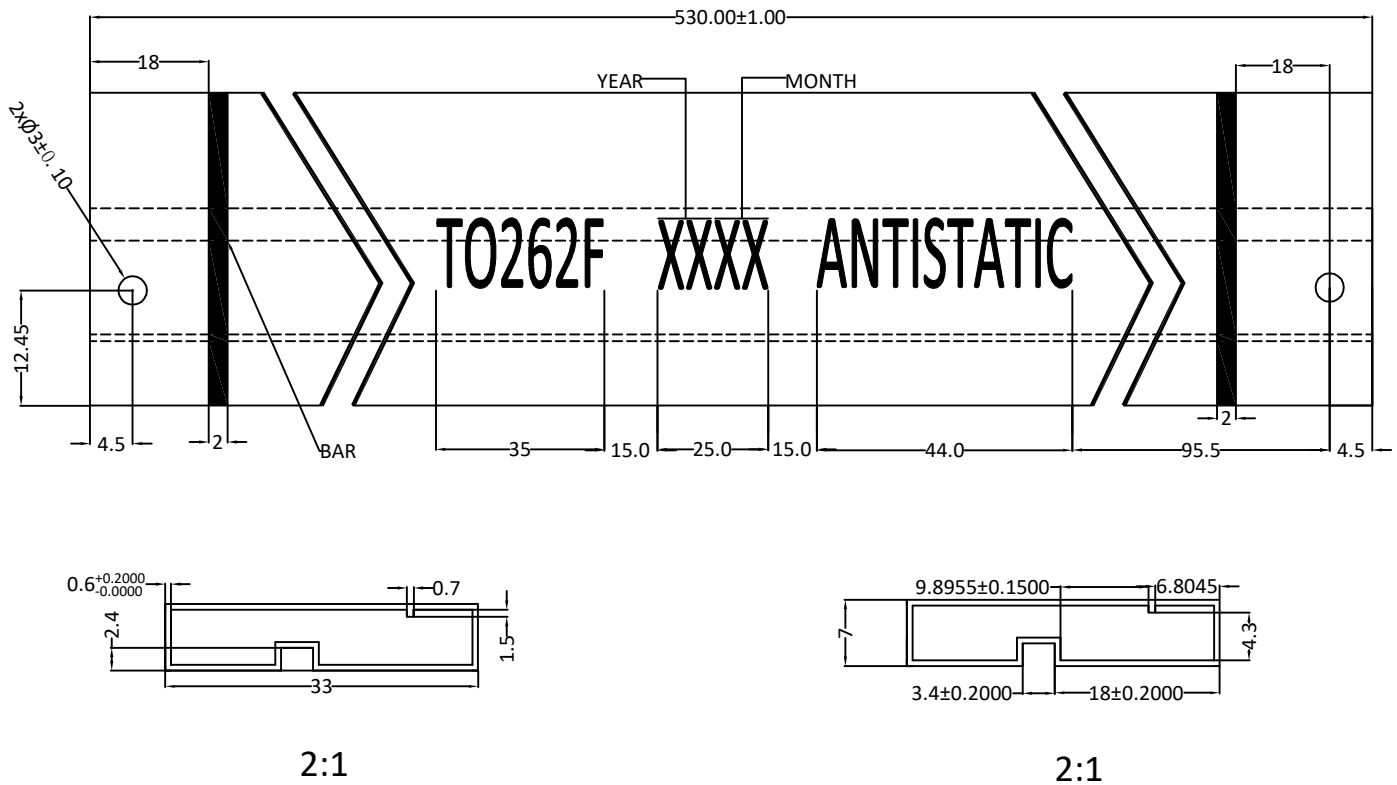




TO262F TUBE



1. ALL TUBE TOLERANCES TO BE ±0.20 UNLESS OTHERWISE SPECIFIED
2. ALL RADIUS AND ANGLES REFERENCE
3. CAMBER: 1.5 MAX
4. ENTIRE TUBE MUST MEET ANTISTATIC TESTING CRITERIA PER MIL-STD-81705B AND ASTM-D257.
5. MATERIAL: PET, ANTISTATIC TREATED
6. ALL DIMENSION: MM UNLESS OTHERWISE SPECIFIED.

OPTION	TUBE COLOR	PRINT COLOR	BAR COLOR
1	TRANSPARANCE	BLACK	BLUE
2	RED	BLACK	BLUE
3	YELLOW	BLACK	BLUE

7. PACKING Q'TY:

PKG	Q'TY(PCS)
TO262F	50